



Introduction of TFT DAB+(M2)





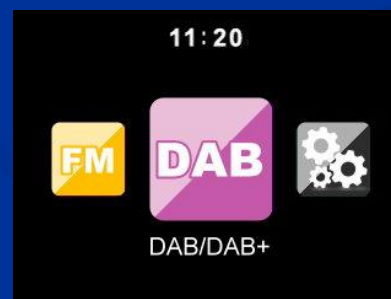
Table of Content

- Product Feature
- Block Diagram
- DAB+/FM(T3B) Feature
- Why Choose M2



Product Feature (I)

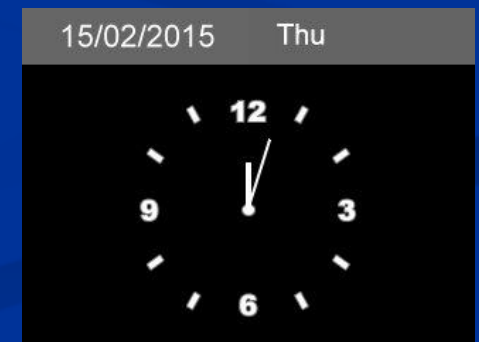
- 2.4"/2.8"/3.2" 320X240 TFT (color/mono & touch supported)
- DAB+/FM with Slide Show
- USB/SD Playback
- BT Rx with NFC / BT Tx
- Aux-in



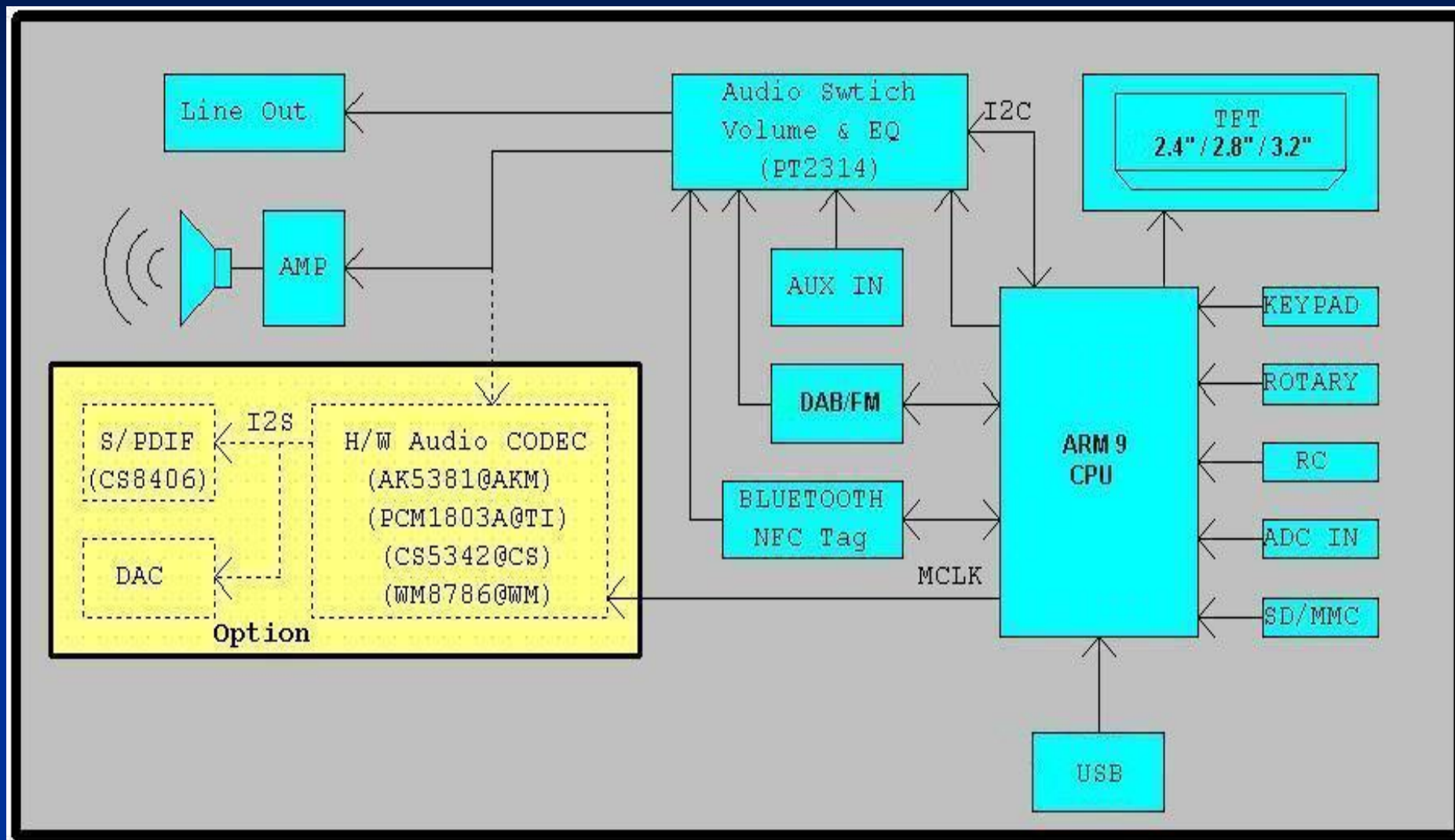


Product Feature (II)

- Two Alarms: sound from beep/melody/DAB+/FM
- Nap: 5/10/20/30/60/90/120 minutes
- Timer: 00:00~99:59 (minute:second)
- Sleep/Snooze/Dimmer
- Key: alarm/sleep/snooze/timer/preset...



Block Diagram



Application Block Diagram



DAB+/FM(T3B) Feature

- ETSI EN 300 401 compliant receiver
- DAB/DAB+ sensitivity to -99dBm (typical)
- FM sensitivity to -107dBm (typical)
- DAB Color Slide show support
- FM with RDS/RBDS decoder
- Combined antenna input for FM / Band3
- Support DAB L-band reception





Why choose M2

• Flexible Feature Combination

- Share same Molding/PCB with IR, IR+DAB
(same molding; same PCB; three different products—TFT DAB, IR, IR+DAB)
- DAB+, FM, Bluetooth Rx/Tx, USB/SD, Aux-in
- Timer, Alarm, Nap, Sleep, Snooze
- Touch Display

• Reasonable Cost

- BOM of Major Parts: **\$11.7**(M2-MCU/Flash/DAB \$8.5+2.4” TFT\$3.2)
- Save certification cost of ESD, EMI, WiFi and so on
- Create three different products with less engineering effort



END

Thank you

Contact e-mail : paul@magic-systech.com.tw

Website : www.magic-systech.com